



Refrigerated Glass Door Merchandisers

Models: MRFS-1D/B, MRFS-1D/W, MRFS-2D/B, MRFS-2D/W, MRFS-2DS/B, MRFS-2DS/W, MRFS-1D/22, MRFS-1D/25, MRFS-3D/79



MRFS-1D/B



MRFS-2D/W



MRFS-1D/25

Refrigerated Glass Door Merchandisers

Increase revenue in your foodservice operation with glass door merchandisers from CULITEK. Built with sleek exteriors and colorful, lighted graphics (excluding MRFS-1D/22), they are perfect for displaying beverages, fresh foods, dairy, and more. With their anti-fogging glass and illuminated interior, the products inside will always be highly visible to your customers. The self-closing door ensures the internal temperature stays at the desired temperature, no matter how many times they are being opened. Models are ETL Listed and ETL Sanitation, and are backed with a 2 year warranty on parts and a 5 year warranty on the compressor.

Cooling System

- R290 hydrocarbon refrigerant is an environmentally-responsible choice for your business
- Bottom mount cooling unit slides out for easy cleaning and maintenance
- Maintains a temperature range of 33°F to 41°F
- Rugged built axial evaporator fans run efficiently with low velocity and high volume air flow

Cabinet Construction

- Black- or white-coated steel exterior for a sleek appearance
- Interior is constructed of 304 corrosion-resistant stainless steel
- Insulated cabinet with foamed-in-place, high density cell polyurethane insulation

Electrical Control

- Front mount, LED temperature display for easy viewing of internal temperature
- Carel temperature controller initiates automatic defrost schedule for worry-free use
- 7-foot power cord with NEMA 5-15 plug

Door(s)

- Large glass doors that provide high visibility with anti-fogging coating.
- Positive self-closing doors with micro-switch that shuts the evaporator fans off when the door is open
- Removable door gasket for easy cleaning

Shelving

- Adjustable plastic coated steel shelves have a load capacity of 90 lbs. per shelf
- Shelving installed with K-clips

Model Features

- Interior lighting provides greater visibility.
- Colorful, lighted graphics on top of unit helps to attract customers, excluding MRFS-1D/22

EQUIPMENT THAT DOMINATES
For Culinary Professionals

STANDARD FEATURES

- Black- or white-coated steel exterior
- Interior constructed of 304 stainless steel
- Digital temperature control ranges 33°F to 41°F
- Epoxy coated, corrosion resistant shelves with 90 lb. capacity per shelf
- Self-closing, anti-fogging glass door, with microswitch that shuts the evaporator fans off when door is open
- Preprogrammed digital control featuring auto-defrost cycle
- Foamed-in-place insulation helps provide strength, while helping to maintain internal temperature
- Eco-friendly R290 hydrocarbon refrigerant
- Colorful, lighted graphics on top of unit helps to draw in customers



Attention CA Residents PROP 65 WARNING

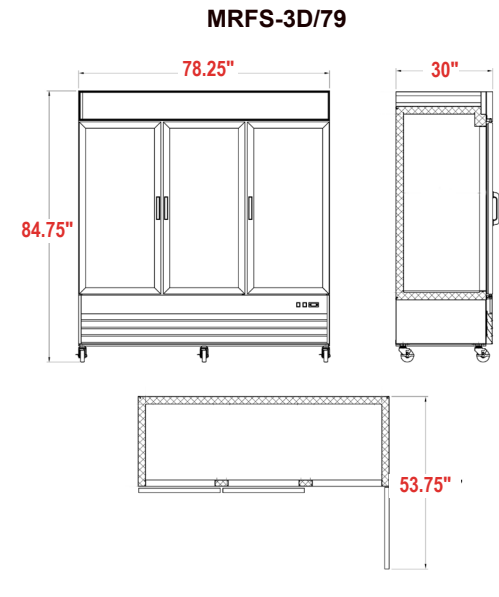
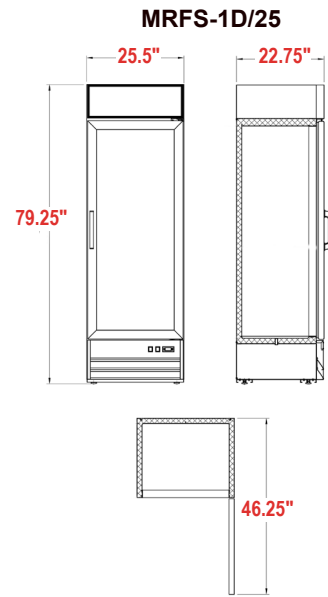
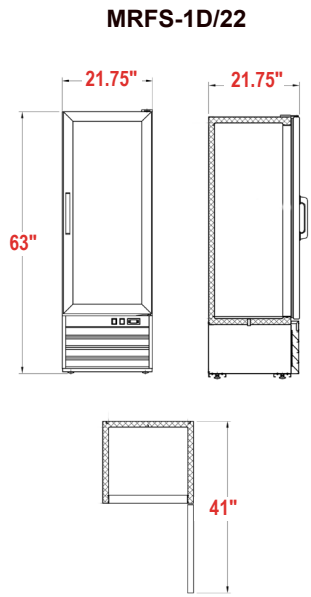
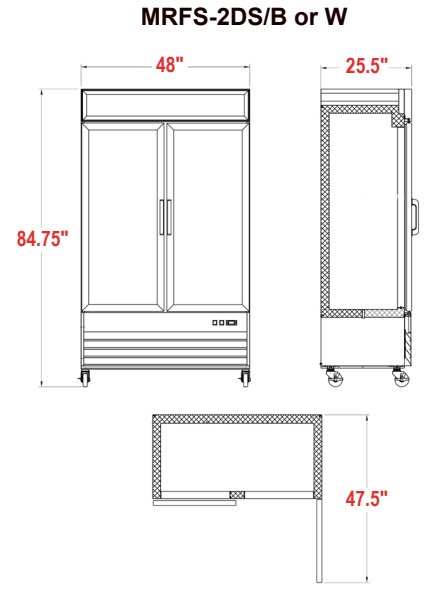
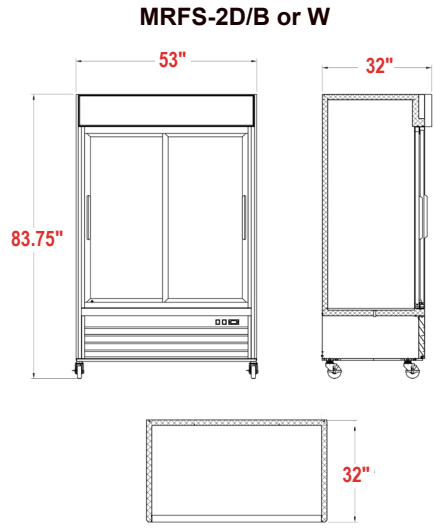
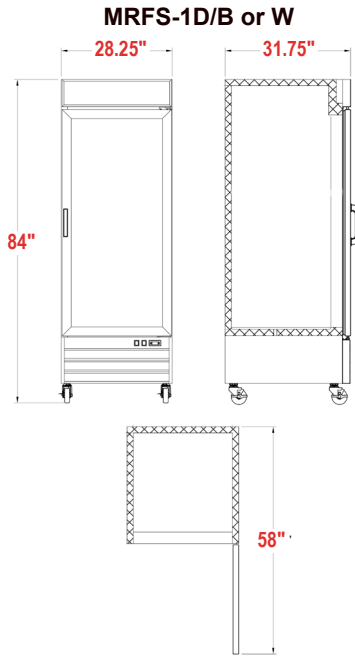
This product can expose you to chemicals, including lead, which are known to the State of California to cause cancer, birth defects, or other reproductive harm.

For more information, go to www.P65warnings.ca.gov

MADE IN CHINA



Refrigerated Glass Door Merchandisers Specifications



REFRIGERATED GLASS DOOR MERCHANDISERS

Model Number	MRFS-1D- Blk [B] or Wht [W]	MRFS-2D- Blk [B] or Wht [W]	MRFS-2DS- Blk [B] or Wht [W]	MRFS-1D/22	MRFS-1D/25	MRFS-3D/79
Color	Black or White	Black or White	Black or White	Black	Black	Black
Doors	1	2	2	1	1	3
Shelves	4	8	8	4	4	12
Net Volume (Cu. Ft.)	24	47	42.5	9.1	14	53
Overall Dimensions (in)	28 ¹ / ₄ "W x 31 ³ / ₄ "D x 84"H	53"W x 32"D x 83 ³ / ₄ "H	48"W x 25 ¹ / ₂ "D x 84 ³ / ₄ "H	21 ³ / ₄ "W x 21 ³ / ₄ "D x 63"H	25 ¹ / ₂ "W x 22 ³ / ₄ "D x 79 ¹ / ₄ "H	78 ¹ / ₄ "W x 30"D x 84 ³ / ₄ "H
Interior Dimensions (in)	25"W x 28"D x 63"H	50"W x 28"D x 63"H	43"W x 19"D x 55"H	18 ⁷ / ₈ "W x 18 ¹ / ₄ "D x 46"H	22 ⁷ / ₈ "W x 19 ³ / ₄ "D x 55 ¹ / ₈ "H	73 ¹ / ₂ "W x 23 ⁵ / ₈ "D x 55 ¹ / ₈ "H
Horsepower	1/5	1/4	1/4	1/5	1/5	3/4
Refrigerant	R290	R290	R290	R290	R290	R290
Voltage/Hertz/Phase	115/60/1	115/60/1	115/60/1	115/60/1	115/60/1	115/60/1
Amps	3	4.5	4.8	2.88	2.88	10.7
Net Weight (lbs)	293	485	536	146	265	615
Gross Weight (lbs)	337	529	580	190	297	671
Shipping Dimensions (in)	30"W x 35"D x 85"H	54"W x 33"D x 84"H	50"W x 29"D x 87"H	23 ³ / ₄ "W x 24 ³ / ₄ "D x 69"H	27 ¹ / ₂ "W x 24 ³ / ₄ "D x 85"H	81"W x 33 ³ / ₄ "D x 87 ¹ / ₂ "H