



Commercial Microwave Ovens Culitek CTDC12A2 & CTDC182 Models

Power Output

- 1200-1800 Watts of power
- Unique method of microwave energy distribution provides superior even heating throughout the entire cavity

Multi-language universal operation, with programming flexibility

- Oven interface and programming software supports 24 languages
- Smart USB connectivity standard

Easy to Use

- Up to 100 programmable menu items simplifies cooking
- 11 power levels and 4 cooking stages for cooking flexibility
- Multiple quantity function automatically calculates cooking times for multiple portions
- Automatic Voltage Sensor adjusts to the power supply (*CTDC182 model only*)
- See-through door and lighted interior for monitoring without opening the door
- Ample 0.6 cubic ft. (17 liter) capacity accommodates a standard half-sized pan
- Stackable to save valuable counter space

Easy to Maintain

- Stainless steel exterior and interior for easy cleaning and increased durability
- Removable, cleanable air filter protects oven components
- Constructed to withstand the foodservice environment, multiple users and variable ambient temperatures
- Gasket sealed Borosilicate Glass tray for easy cleaning
- Interlock switch assembly is engineered for maximum durability and long life.

This microwave oven is ideal for...

Applications

- Fast casual dining
- Prep stations
- Bars & grills
- Quick service restaurants
- Casual dining
- Convenience stores
- Bakery cafés
- Kiosks
- Food courts

Through put potential by oven wattage (items per hour)

Food item	1200W	1800W
Steamed Shrimp (8oz (227g))	23	33
Scrambled Eggs (4oz (120g))	51	65
Steamed Rice (8cups (1.2kg))	3	5
1 Baked potato (9oz (255g))	18	21
Salmon fillet (8oz (227g))	20	26
Chocolate Cake in a Cup	60	80
Fresh Steamed Veggies (6oz (170g))	48	65
Asparagus (8oz (227g))	30	45
Dumplings (6ea)	19	24

Service

All products are backed by Culitek Commercial Service



Commercial Service
800-436-9472

Warranty

Warranty Certificate for this product can be found on the Culitek. website at culitekequipment.com

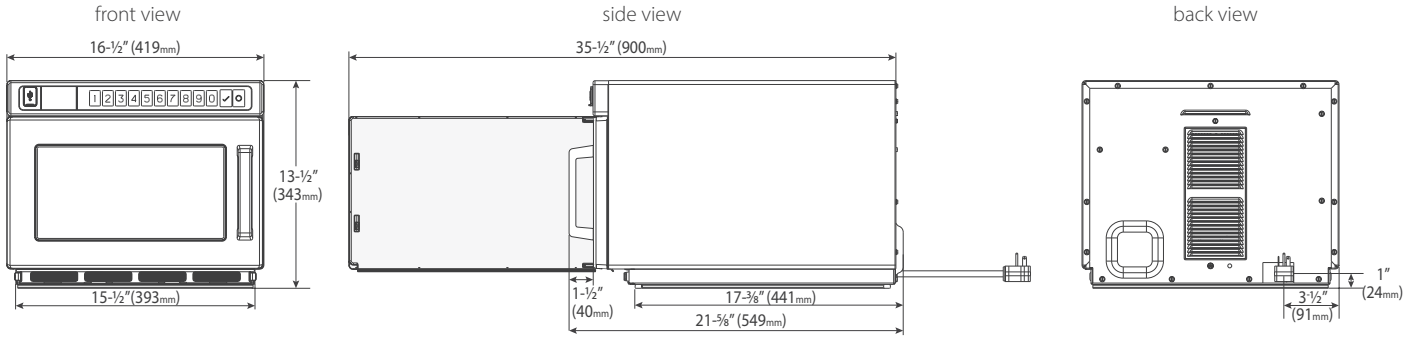


Safety and Sanitation

This product meets and exceeds safety and sanitation standards set for commercial microwave ovens by UL, ETL, NSF, CSA, and FDA



Culitek CTDC12A2 & CTDC182 Models | Commercial Microwave Ovens



Dimensions

Exterior	H 13 1/2" (343)	W 16 1/2" (419)	D† 21 5/8" (549)
Cavity	H 6 3/4" (171)	W 13" (330)	D 12" (305)
Usable Cavity Space	0.6 cubic ft. (1.7 liter)		
Door Depth	35 1/2" (900), 90°+ door open		
Installation Clearances	Top: 2" (51)	Sides: 1" (25)	Back: None
Shipping Carton	H 18 5/8" (473)	W 21 7/8" (556)	D 24 5/8" (625)
Weight			
Product Weight	Ship weight (approx.)	UPS Shippable	
68 lbs (31kg)	74 lbs (34kg)	Yes, ISTA 1A	

Features

Configuration	Countertop
Stackable	Yes
Display	LCD
Control System	Touchpad
Programmable Control	Yes, 10 pads
Braille	No
Settings Programmable	100
Max. Cooking Time	60:00
Microwave Distribution	Double rotating antennas, top and bottom
Power Levels	11
Defrost	Yes, power level 2
Time Entry Option	Yes
Multiple Portion Setting	Yes, X2 by default, optional up to X9
Stage Cooking	4 stages
Interior Light	Yes, LED
Automatic Voltage Sensor	Yes (CTDC182 model only)
Air Filter	Yes, 1 removable
Signal	End of cycle, adjustable
Door Handle	Grab & Go
Exterior Finish	Stainless steel
Interior Finish	Stainless steel with gasket sealed borosilicate tray

Electrical Configuration

Model#/ UPC	Automatic Voltage Sensor	Power Consumption	Power Output (microwave)	Power Source	Plug Configuration	Cord Length	Frequency	Magnetron
CTDC12A2 810081733717	No	2000W, 16.8 A	1200W*	120V, 60Hz, 20A, single phase	NEMA 5-20	5.5 ft. (1.7m)	2450MHz	2
CTDC182 810081733724	Yes	3000W, 14.4 A	1800W*	208/240V, 60Hz, 20A, single phase	NEMA 6-20	5.5 ft. (1.7m)	2450MHz	2

Measurements are US Standard. Measurements in () are in millimeters
 * IEC 60705 Tested
 † Includes handle

Specification #:

AIA File #:

Updated 08/26/2021